

---

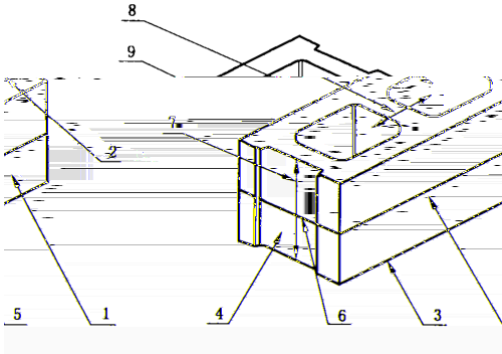
---
























National Standard of the People's Republic of China

**Normal concrete small block**

GB/T 8239-2014

\*

Published by China Standards Press

No. a 2, Hepingli West Street, Chaoyang District, Beijing (100029)

No. 16, Sanlihe North Street, Xicheng District, Beijing (100045)

Website: [www.spc.net.cn](http://www.spc.net.cn)

Tel: Editor-in-chief (010) 64275323      Distribution Center (010) 51780235

Reader Service (010) 68523946

Printed by Qinhuangdao Printing House of China Standards Press

Sold on commission at the Xinhua Book Stores at the respective regions

Book size 880×1230 1/16 Sheet 0.75 Number of words 16,000

The first edition: July 2014    The first printing: July 2014

\*

-49661 Pricing: RMB 16.00



GB/T 8239-2014

**If there is any error in printing, it will be replaced by the Distribution Center.**

**All Rights Reserved**

**Informants' hot-line telephone: (010) 68510107**